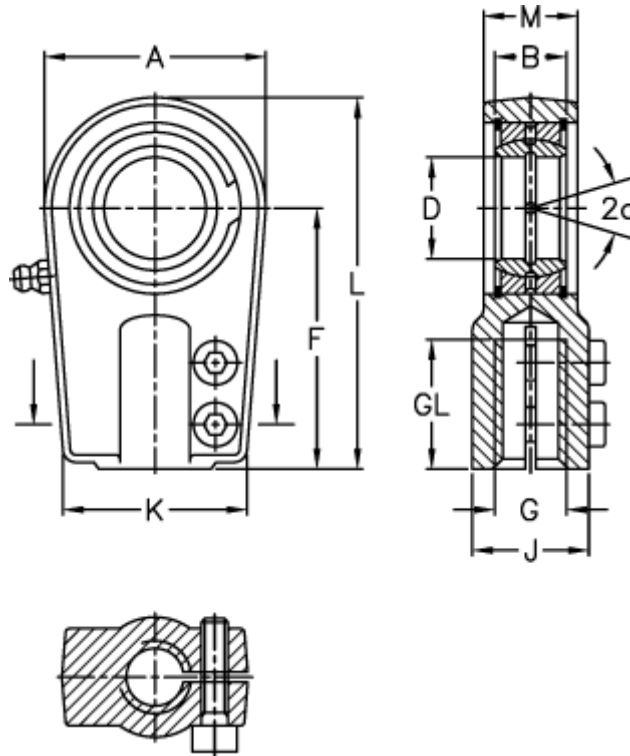


Article number: 03554100

Description: Fluro hydraulic rod end FMA 100D

## Measures



A	= 230	J	= 170
a (degrees)	= 7	K	= 172
B	= 70	L	= 400
D	= 100	M	= 70
Dynamic load C (kN)	= 865	Static load C0 (kN)	= 1500
F	= 275	Torque (N m)	= 300
g	= M110x4	Weight	= 34000
GL	= 150		